

RECESSED CONCEALED HINGE

180°

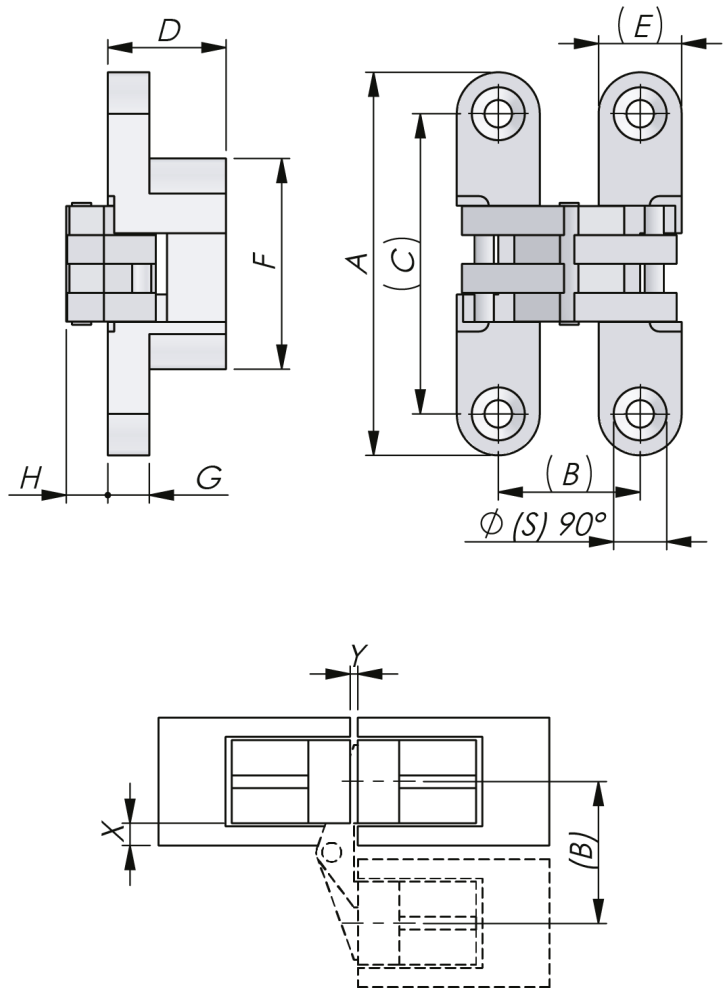
Concealed hinge for mounting inside the door. For recessed or inset doors, folding tables etc. Universal left and right mounting with 180° opening angle. The hinge is supplied fully assembled. The door- and frame part are mounted with screws in the countersunk holes. Screws are not included.

The hinge is completely concealed inside the door when the door is closed.



MATERIAL

Door part: Zinc die cast, chrome plated
Frame part: Zinc die cast, chrome plated
Link: Stainless steel 304



P/N	A	B	C	D	E	F	G	H	S	X	Y
311322-01	45	22,7	32	18,5	13	19	5	6	3,5	3 mm or less	0,8
311322-02	60	22,2	47	18,5	13	33	6,5	6,5	4,3	3 mm or less	1
311322-03	70	26,6	53	23	16,1	5	7	9	4,6	3,5 mm or less	1,2
311322-04	100	33,2	80	27,5	20	52	9,5	9,5	5,3	4,8 mm or less	1,8